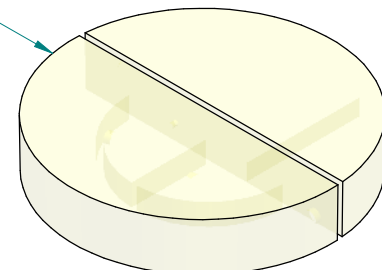


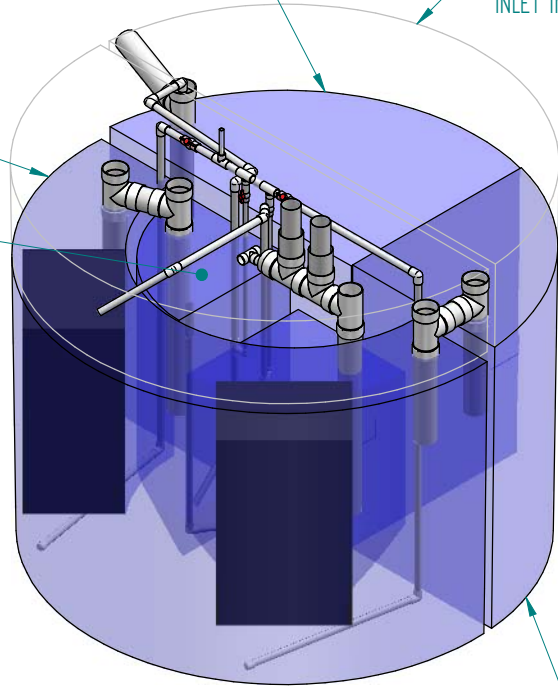
TITLE	VOLUME
FREEBOARD VOLUME	1976 L
TREATMENT CHAMBER 1 VOLUME	2000 L
TREATMENT CHAMBER 2 VOLUME	1000 L
TREATMENT CHAMBER 3 VOLUME	2231 L
TREATMENT CHAMBER 4 VOLUME	465 L
TREATMENT CHAMBER 5 VOLUME	370 L

TOTAL FREEBOARD CHAMBER VOLUME: 1976 L



CHAMBER VOLUME: 2000 L

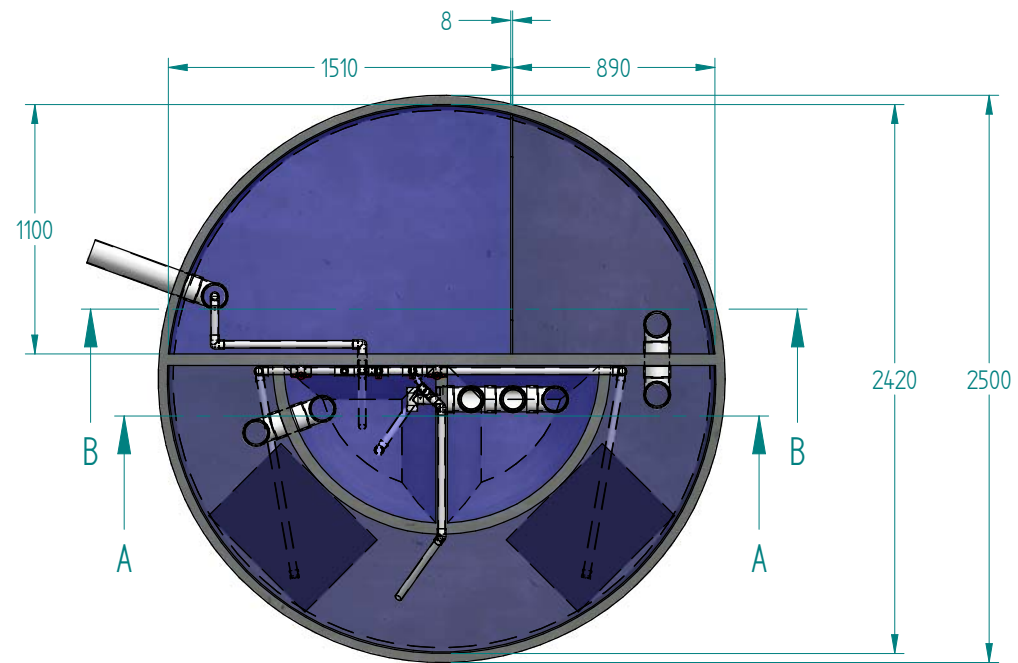
FREEBOARD VOLUME ABOVE INLET INVERT: 1976 L



CHAMBER VOLUME: 2231 L

CHAMBER VOLUME: 465 L

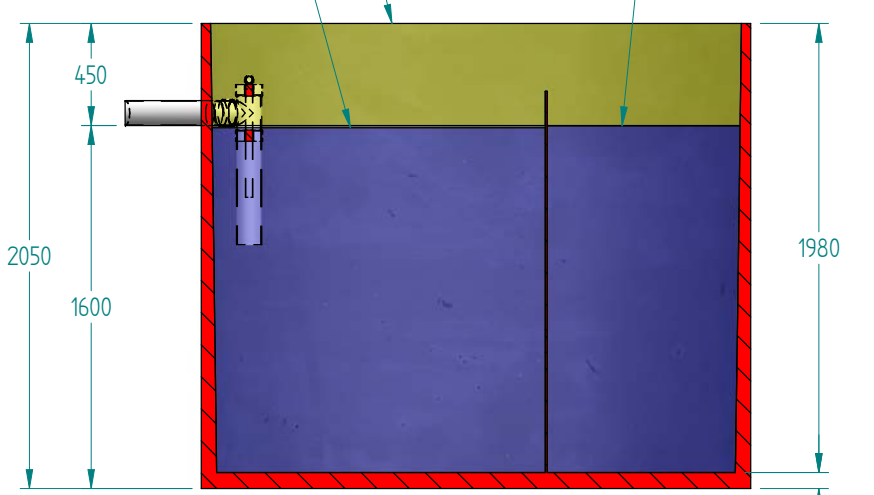
CHAMBER VOLUME: 1000 L



CHAMBER VOLUME: 1976 L

CHAMBER VOLUME: 2000 L

CHAMBER VOLUME: 1000 L

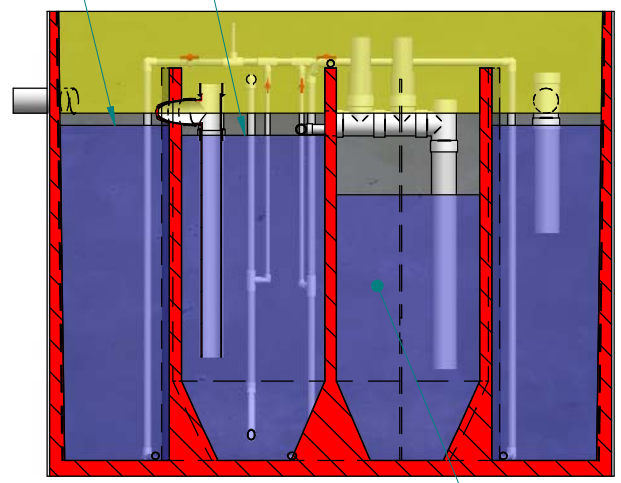


SECTION B-B



CHAMBER VOLUME: 465 L

CHAMBER VOLUME: 2231 L



CHAMBER VOLUME: 370 L

SECTION A-A

BY	DATE	REVISION DETAIL	REV
PM	02/12/2019	LOGO CHANGE	5
PM	30/10/2019	ANNOTATION CHANGE	4
PM	14/10/2019	RELEASED	3
PM	01/05/2019	ISSUED FOR REVIEW	2

		PROJECT: ECO PRO AWTS	
		TITLE: TREATMENT TANK	
COPYRIGHT <small>THIS DRAWING AND INFORMATION CONTAINED WITHIN REMAINS THE COPYRIGHT PROPERTY OF ECO-CYCLE AND CANNOT BE COPIED OR REPRODUCED WITHOUT WRITTEN PERMISSION</small>	UNLESS OTHERWISE SPECIFIED ALL DIMENSIONS ARE IN MM	DATE PLOTTED: 2/12/2019	COAT/TREAT: NONE
		SCALE: DO NOT SCALE	PART#: 2500x2050-TT
		DRAWING LAST MODIFIED BY: Peter McKay	VERSION: 5
			SHEET No. 1 OF 1