

1 2 3 4 5 6

A

B

C

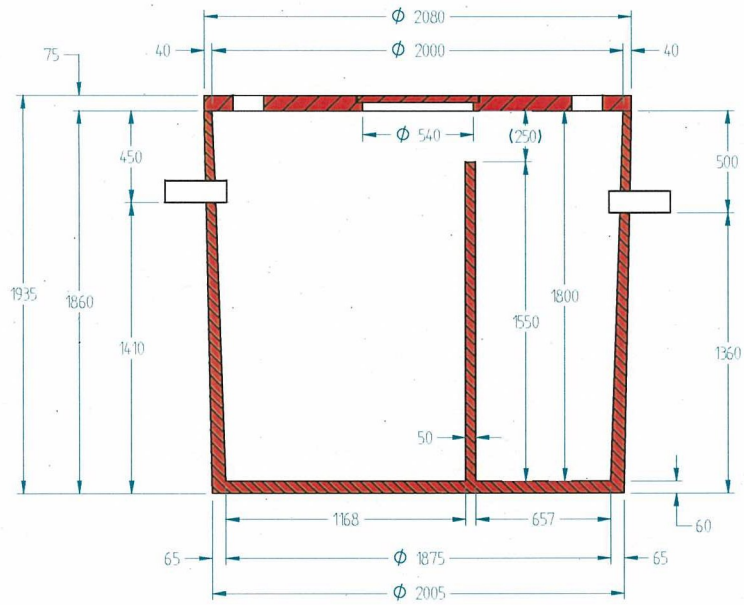
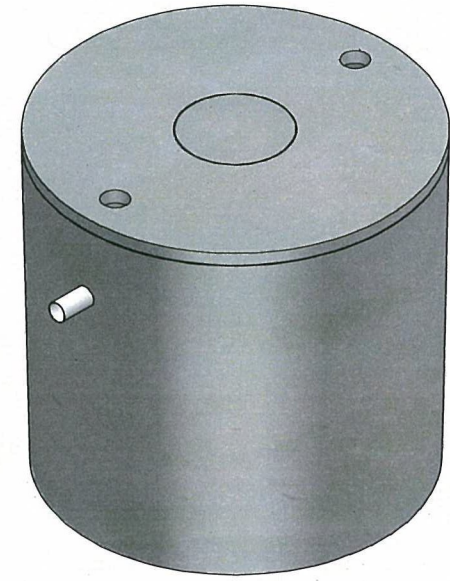
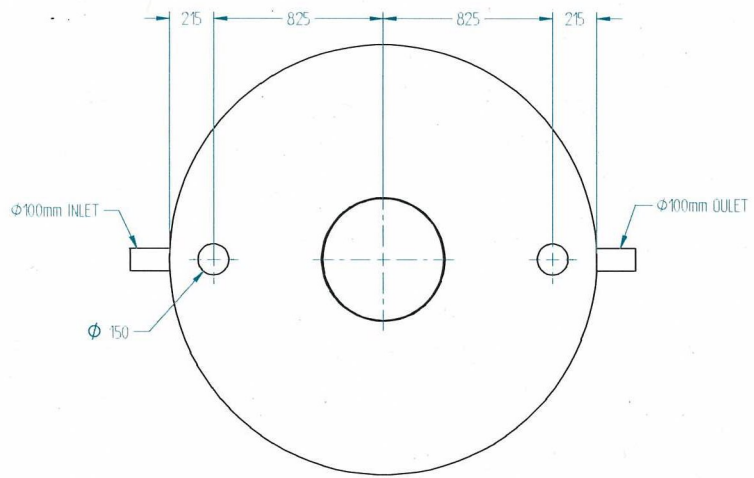
D

A

B

C

D



APPROVED

1 8 AUG 2010

DEPARTMENT OF HEALTH, N.S.W.

NOTES:

1. SEPTIC TANKS TO BE MANUFACTURED AND TESTED IN ACCORDANCE WITH AS/NZS 1546.12008
2. CONCRETE STRENGTH = 40MPa
3. CONCRETE TO BE VIBRATED TO ENSURE WELL COMPACTED CONCRETE
4. TANKS TO BE REINFORCED WITH FIBRE STEEL
5. LIFTING TO BE "REID SWIFT LIFTS" 4 x 2.5 TONNE FOOT ANCHORS CAST INTO BASE OF THE TANK. 3 x 13 TONNE ANCHORS CAST INTO TANK LIDS

 <p>REINFORCED WASTE-WATER TREATMENT SYSTEMS</p>				PROJECT: SEPTIC TANK	
		<small>UNLESS OTHERWISE SPECIFIED ALL DIMENSIONS ARE IN MM</small>		TITLE: 3600L CONCRETE TANK ASSY NSW HEALTH CERTIFICATION DRAWING	
SCALE: DO NOT SCALE		DATE PLOTTED: 6/08/2010		COAT/TREAT: -	
DRAWN BY: P. MCKAY		DRAWING LIST MODIFIED BY: P. MCKAY		PART #: -	
MODELLED BY: P. MCKAY		MODEL LIST MODIFIED BY: P. MCKAY		REVISION: 1.E	
SHEET NO: 124_1510				SHEET SIZE: A3 1 OF 1	

PM 06/08/2010	ISSUED FOR REVIEW	1.E
BY: DATE	REVISION DETAIL	REV

1 2 3 4 5 6